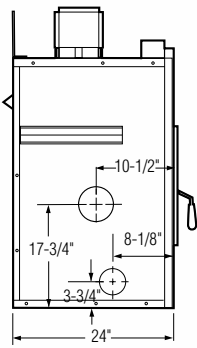
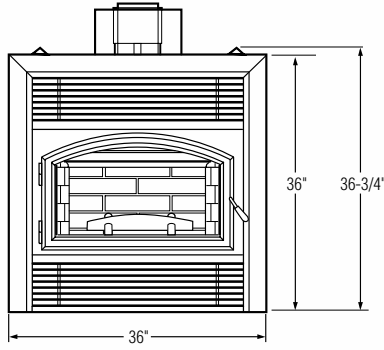


BRENTWOOD

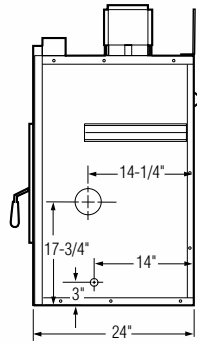
Appliance Specifications



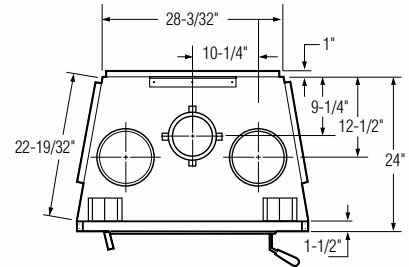
Left Side View



Front View



Right Side View

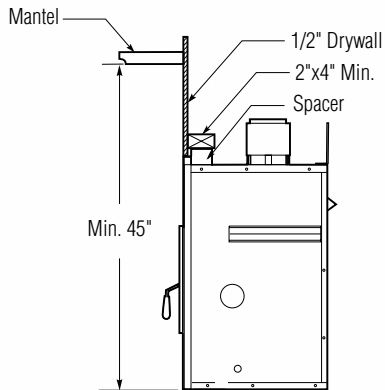


Top View

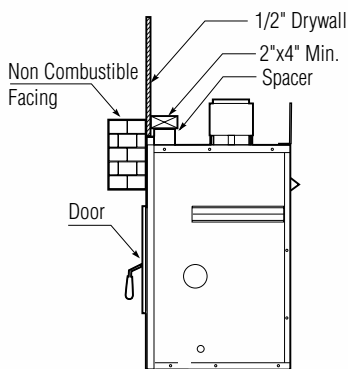
Fireplace Finishes

Mantels and Trim

If a mantel is a non-combustible material, it is exempt from these requirements as long as it does not interfere with the louvers or operation of the door.



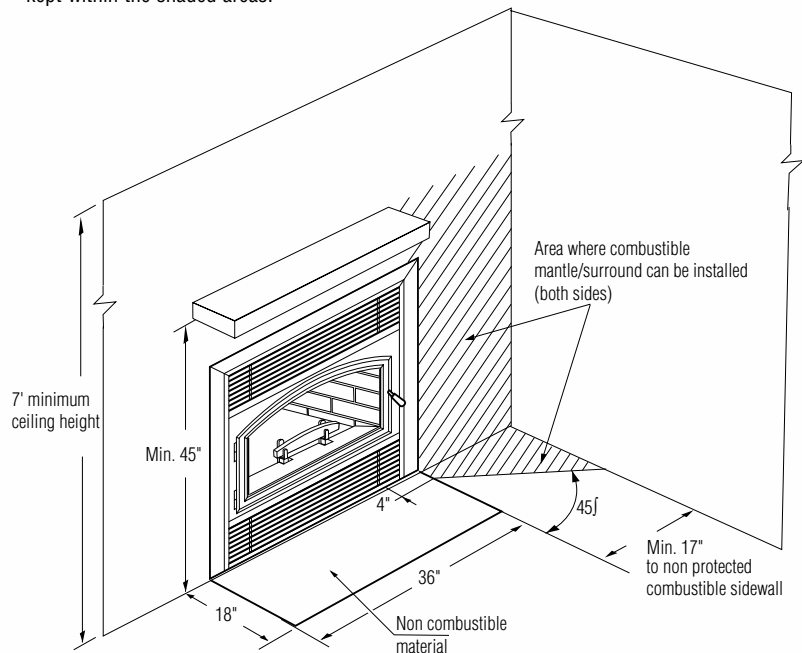
Combustible Mantel



Non Combustible Finish Materials

Surrounds

Combustible materials may project beyond the sides of the fireplace opening as long as they are kept within the shaded areas.



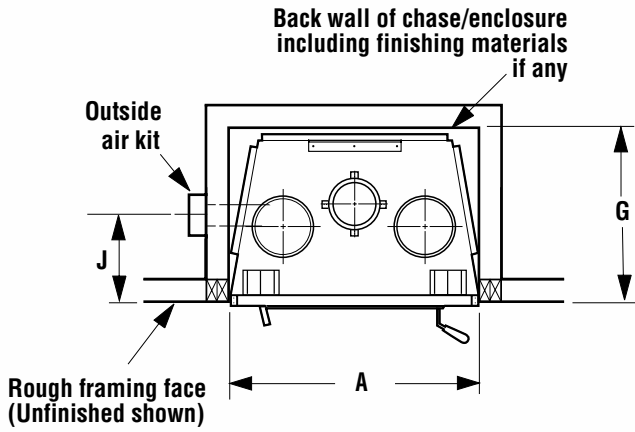
Hearth Extensions

A hearth extension must be installed with all fireplaces. Its purpose is twofold. It protects a combustible floor in front of the fireplace from both radiant heat and sparks and it distinguishes the prescribed hearth extension area from other unprotected surfaces. The hearth extension must extend beyond the front at least 18 inches the entire width of the fireplace.

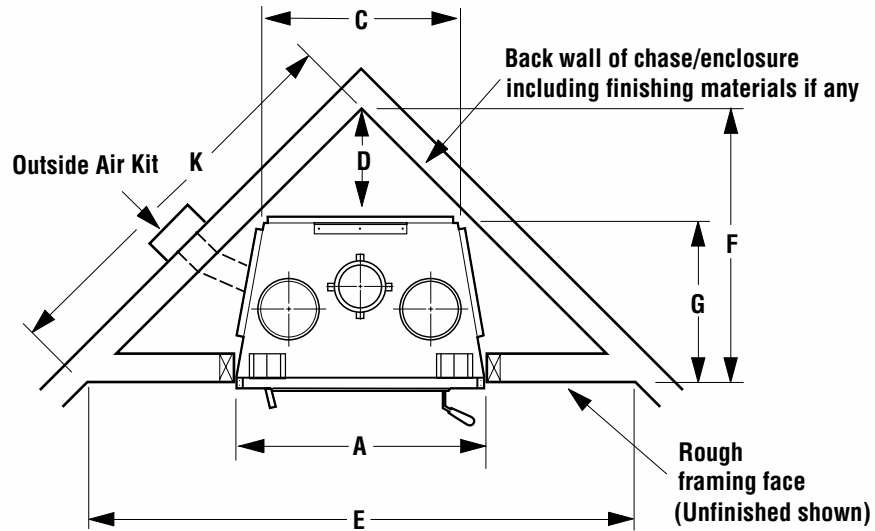
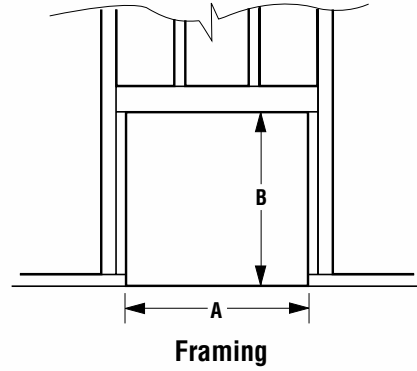
BRENTWOOD

Framing Specifications

Note: Framing dimensions are calculated for a nailing flange depth of 1/2".



Outside Chase



Corner Chase

Framing Dimensions

	Opening Width
	BRENTWOOD
A	36-1/4"
B	37-1/8"
C	28-1/4"
D	14-1/8"
E	77"
F	38-1/2"
G	23-1/2"
J	7-5/8"
K	54-1/2"