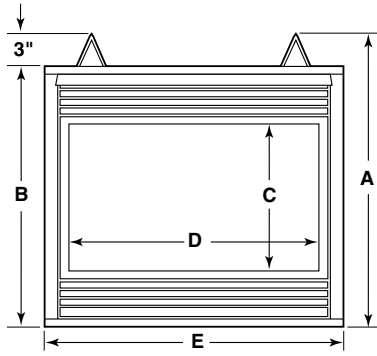
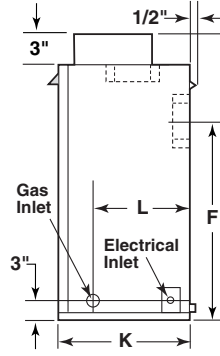


# D-400/500/600/800

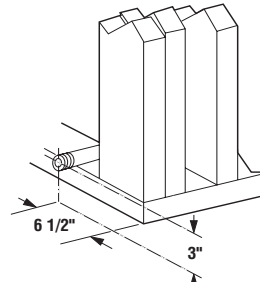
## Appliance Specifications



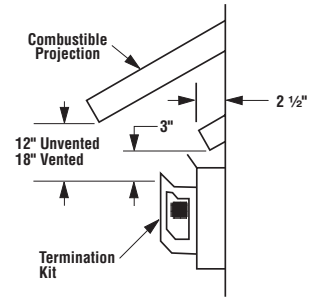
Front View



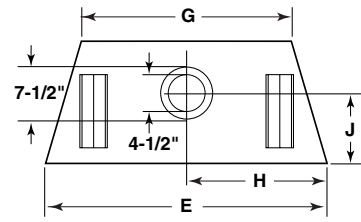
Right Side View



Gas Line Location



Clearance to Soffit or Over Hang



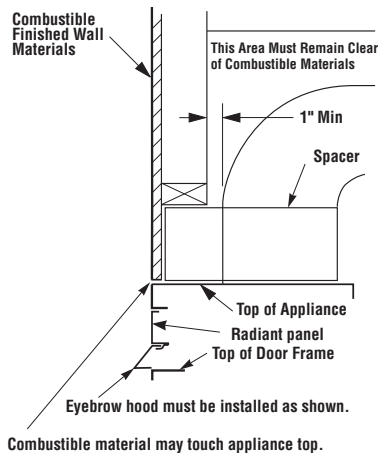
Top View

	A	B	C	D	E	F	G	H	J	K	L
D-400	33-1/8"	30-1/8"	17"	27-12"	33-1/8"	19-5/8"	21-1/2"	16-1/16"	6-13/16"	13"	8-11/32"
D-500	35-1/8"	32-1/8"	19"	29-1/2"	35-1/8"	21-11/16"	24-7/8"	17-9/16"	8-15/16"	16"	9"
D-600	40-1/8"	37-1/8"	24"	34-1/2"	40-1/8"	26-11/16"	29-7/8"	20-1/16"	8-15/16"	16"	9"
D-800	40-1/8"	37-1/8"	24"	39-1/2"	45-1/8"	26-11/16"	34-7/8"	22-9/16"	8-15/16"	16"	9"

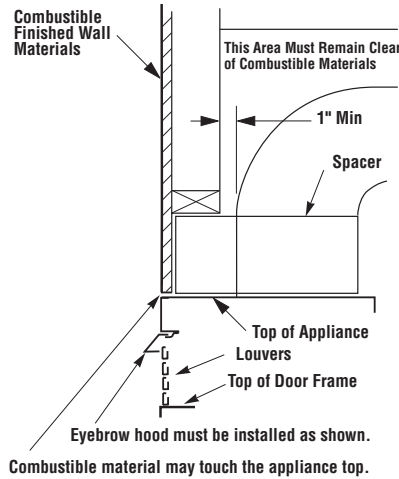
## Fireplace Finishes

### Wall Details

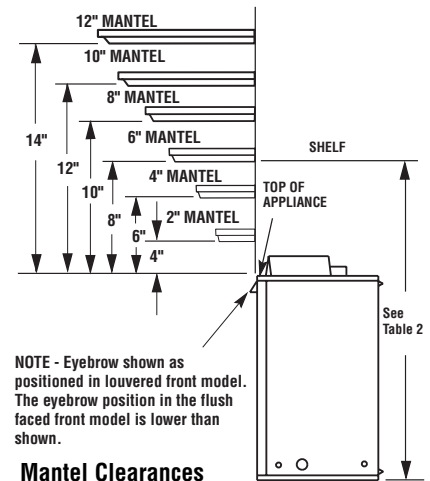
Complete finished interior wall. To install the appliance facing flush with the finished wall, position framework to accommodate the thickness of the finished wall.



Clean Face Models



Louver Face Models



NOTE - Eyebrow shown as positioned in louvered front model. The eyebrow position in the flush faced front model is lower than shown.

### Mantel Clearances

### Shelf Clearance

To provide for the lowest possible shelf surface use the alternate rear vent outlet with attached venting routed in a way to minimize obstructions to the use of the space above the appliance. The minimum height from the base of the appliance to the underside of combustible materials used to construct a utility shelf in this fashion is shown in Table 2. The weight of the utility shelf and anything placed upon it may not be supported by the appliance in anyway.

Table 2

	Shelf Height
D-400	33-3/8"
D-500	35-1/4"
D-600	40-1/4"
D-800	40-1/4"

# D-400/500/600/800

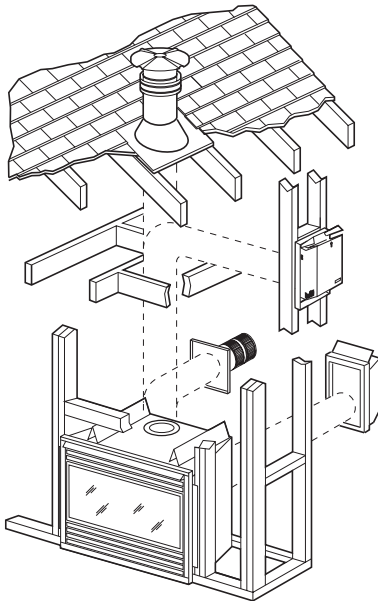
## Clearances

The appliance is approved with zero clearance to combustible materials on all sides with the following exception: When the unit is installed with one side flush with a wall, the wall on the other side of the unit must not extend beyond the front edge of the unit. In addition, when the unit is recessed, the side walls surrounding the unit must not extend beyond the front edge of the unit. See Table 1.

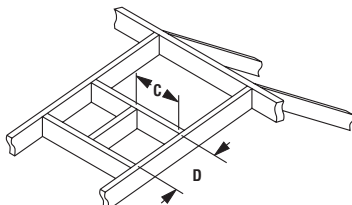
Table 1

<b>Back</b>	1/2"-0" spacers
<b>Sides</b>	1/2"-0" spacers
<b>Top Spacers</b>	0"
<b>Floor</b>	0"
<b>From Bottom of Unit to Ceiling</b>	64"
<b>Vent</b>	1"*
<b>Service Clearances</b>	
<b>Front</b>	3 feet

\*Note: 3" above any horizontal vent component.



Typical Installation



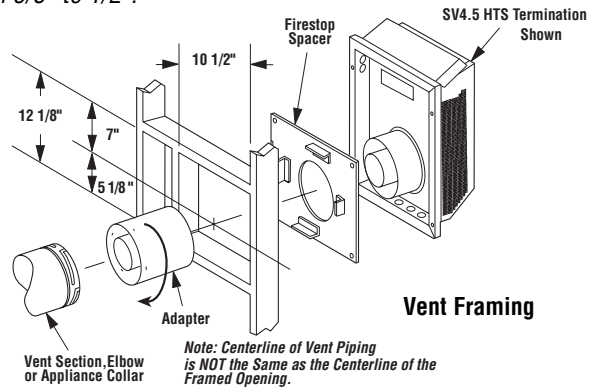
Roof Framing

Roof Framing Dimensions

Pitch	C	D
0/12	10"	10"
6/12	10"	12"
12/12	10"	17 3/4"

## Framing Specifications

Note: Nailing flange is adjustable from 5/8" to 1/2".

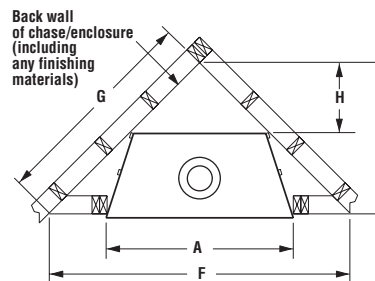


Vent Framing

Note: Centerline of Vent Piping is NOT the Same as the Centerline of the Framed Opening.

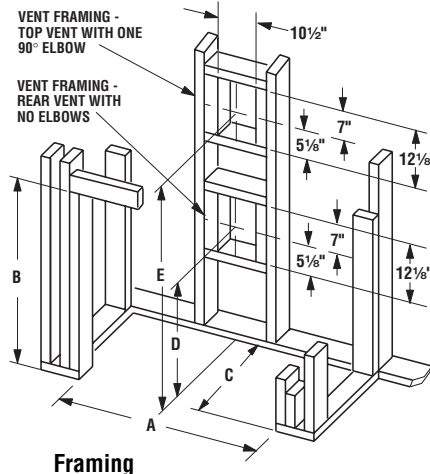
## Vent Clearance

	Top	Sides	Bottom
<b>Horizontal</b>	3"	1"	1"
<b>Vertical</b>	1"	1"	1"



Corner

Framing should be constructed of 2x4 or larger lumber.



Framing

	A	B	C	D	E	F	G	H	J
<b>D-400</b>	33-1/4"	33-1/4"	12-7/8"	19-5/8"	37-1/8"	48-1/2"	34-5/16"	11-3/4"	24-1/4"
<b>D-500</b>	35-1/4"	35-1/4"	16"	21-11/16"	39-1/8"	57-1/2"	40-5/8"	13-1/4"	28-3/4"
<b>D-600</b>	40-1/4"	40-1/4"	16"	26-11/16"	44-1/8"	61-3/16"	43-11/32"	15-3/16"	30-11/16"
<b>D-800</b>	45-1/4"	40-1/4"	16"	26-11/16"	44-1/8"	66-3/8"	46-15/16"	17-11/16"	33-3/16"

Note: All dimensions calculated for 1/2" dry wall at the appliance face. If sheathing the chase or finishing with other thickness materials, calculations will need to be made.

