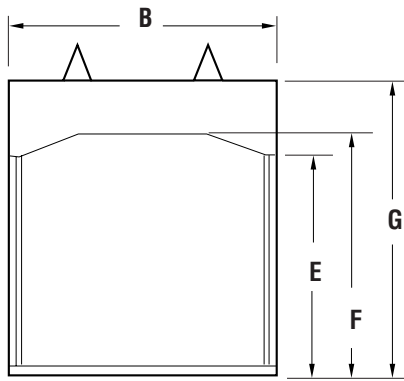
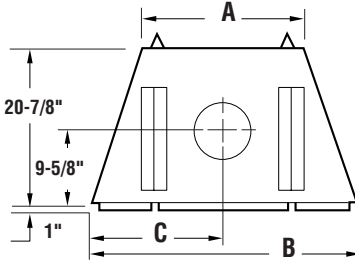


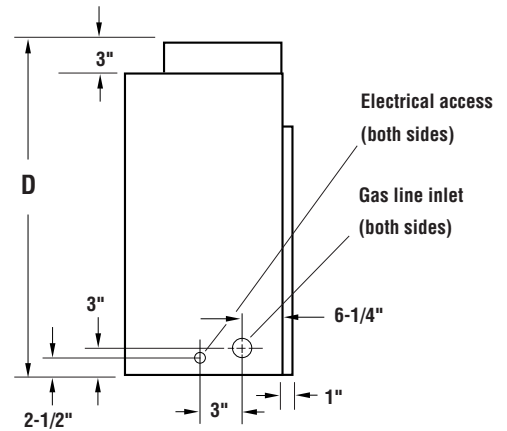
LSS-35/40



Front View



Top View

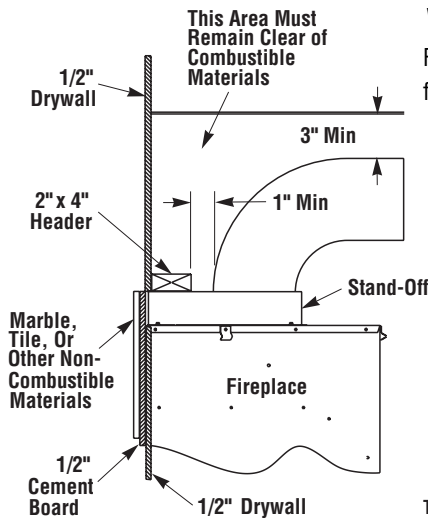


Left Side View

	A	B	C	D	E	F	G
LSS-35	21 1/2"	35"	17 1/2"	41 3/8"	28 3/8"	31 3/8"	38 3/8"
LSS-40	26 1/2"	40"	20"	42 7/8"	29 7/8"	32 7/8"	39 7/8"

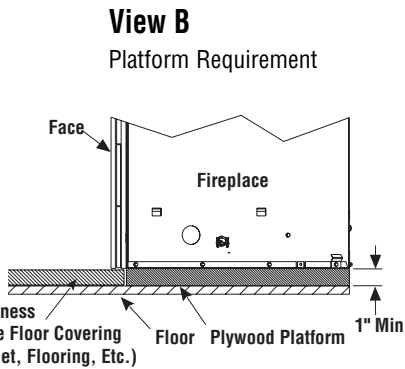
Fireplace Finish Requirements

Table 2



View A

Finish wall and decorative front facing requirement.

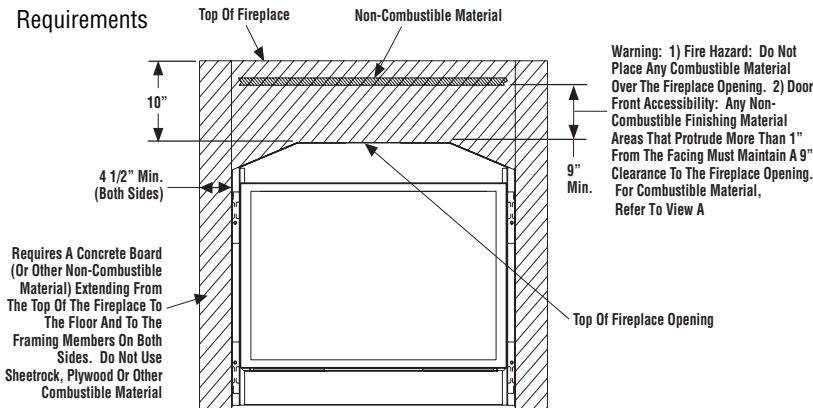


View B

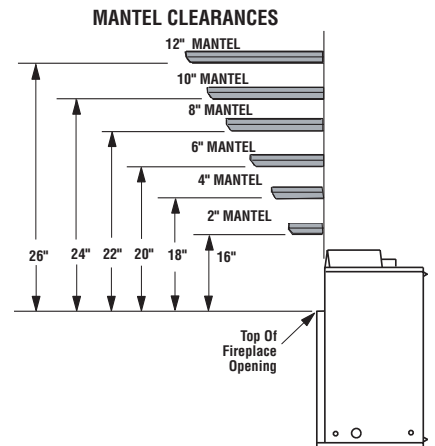
Platform Requirement

View C

Non-Combustible Requirements



Shelf Height (minimum)	
LSS-35	58"
LSS-40	59 1/2"



Mantel Clearances

Shelf Clearance

To provide for the lowest possible shelf surface. The minimum height from the floor to the underside of combustible materials used to construct a utility shelf in this fashion is shown in Table 2. The weight of the utility shelf and anything placed upon it may not be supported by the appliance in anyway.

LSS-35/40

Framing Specifications

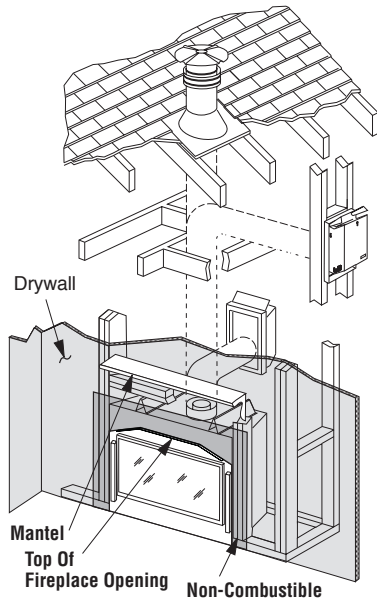
Clearances

The appliance is approved with zero clearance to combustible materials on all sides with the following exception: When the unit is installed with one side at minimum clearance to a wall (6"), the wall on the other side of the unit must not extend beyond the front edge of the unit.

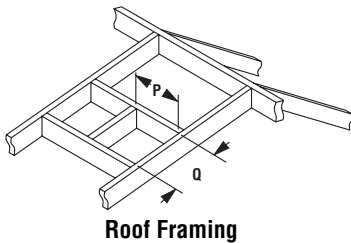
See Table 1. Table 1

Clearances to Combustibles	
Back	1/2"-0" spacers
Sides	1/2"-0" spacers
Top Spacers	0"
Floor	0"
Vent	1"*
Vent Seal Caps	1"
Combustible sidewall	6"
Ceiling	64"
Service Clearances	
Front	3 feet

*Note: 3" above any horizontal vent component.



Typical Installation

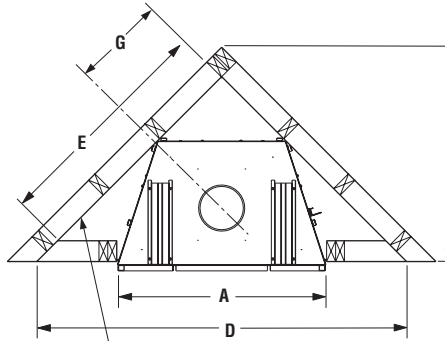


Roof Framing Dimensions

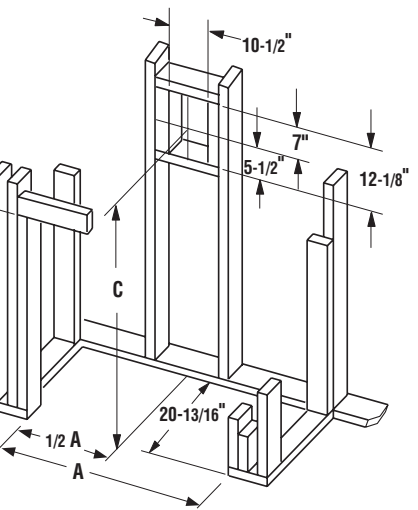
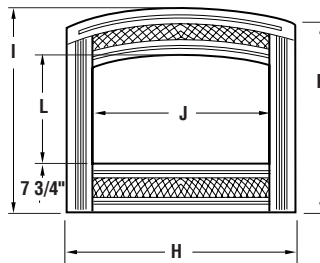
Pitch	P	Q
0/12	10"	10"
6/12	10"	12"
12/12	10"	17-3/4"

Note: Framing dimensions shown assume 1/2" drywall is used to finish out the wall. 1" raised platform beneath the appliance is included in B dimension calculation.

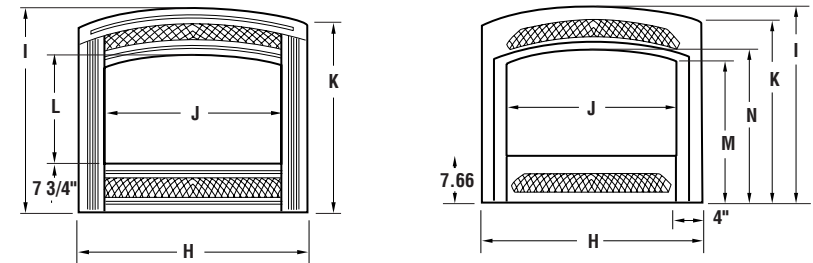
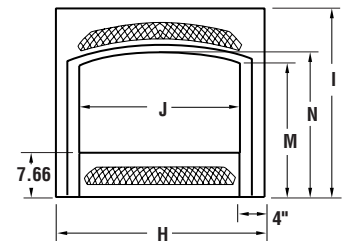
	A	B	C**
LSS-35	35-1/8"	42-5/8"	52-3/8"
LSS-40	40-1/8"	44-1/8"	53-7/8"



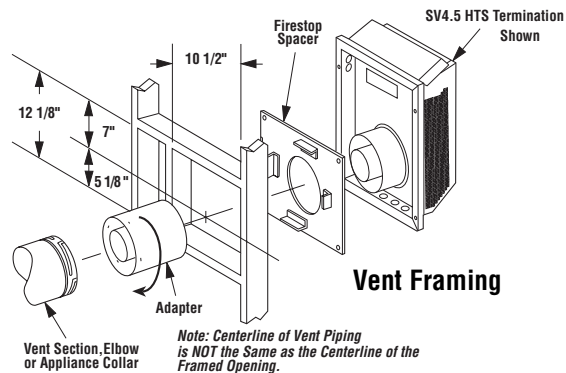
	D	E	F	G
LSS-35	65-5/16"	39-1/8"	36-1/8"	15-11/16"
LSS-40	67-5/16"	47-5/8"	38-5/8"	17-7/16"



**NOTE: For Secure Vent A 6" Section SV4.5L6 (Cat. No. 77L70) Is Required Before Installing The 90 Degree Elbow.



	H	I	J	K	L	M	N
LSS-35	36"	32-7/8"	28"	29-7/8"	17-1/2"	23-1/8"	25-1/4"
LSS-40	41"	34-3/8"	33"	31-3/8"	19"	24-9/16"	28"



Note: All dimensions calculated for 1/2" dry wall at the appliance face. If sheathing the chase or finishing with other thickness materials, calculations will need to be made.