

valor THE ORIGINAL
RADIANT GAS FIREPLACE

H5 and H6

Large Fireplace Series



H6 (1400J) with **NEW** Traditional Logs (1400LSK) and **NEW** Herringbone liner (1475HBL) with 1" fixed frame surround in Black powder coat finish (1430FFK).

H5

H6

A large format fireplace, compact in design, with a generous viewing area—fits where the H6 can't.

Our largest format fireplace with a 40% larger viewing area than the H5, yet compact for its size.

Engineered for easy installation, the H5 offers flexible venting options and slim engine depth for smooth installation. A variety of design options.

Although grand in presence, the firebox design features tapered sides and shallow depth for smoother installation. Select design options.

Features

- Efficient heat** performance, based on designs proven in people's homes for nearly forty years.
- Zero Clearance fireplace**, ideal for new construction and home renovations; and can also be used as an insert.
- The ValorStat Max Remote** is convenient, reliable and easy to use, helping you program direct warmth.
- The Secondary Heat Exchanger** naturally enhances the convected heat. No fan required.
- Zone heating** brings the comfort of radiant and convective warmth to the spaces you frequent most in your home, without the need for ducting or forced air.
- HeatShift™** transfers convective heat upwards through hidden ducts and back into the room, so valued artwork, a TV and construction materials stay cooler. Valor recommended option.
- Double-sided aluminum-coated steel** firebox and trims prevent rusting and wear—the H5 and H6 are even suited to the outdoors!
- High-grade, powder coated paint** is used on all our fireplaces to maintain their appearance and ensure long-lasting enjoyment—inside and out.

Customize your design

H5 surrounds offer **eight finishes**, including Black, Nickel, Bronze, Vintage Iron, Brushed Nickel, Hammered Copper, Hammered Oiled Bronze and Hammered Vintage Iron.

H6 surrounds are available in **two** of our most popular powder-coated finishes—Black and Bronze.

- Choose from **four unique firebeds**, including Traditional Logs, Pebble Beach Driftwood, Murano Glass and Decorative Glass.
- Select from **six firebox liner designs**: Red Brick, LedgeStone, Plain Black, Fluted Black, Reflective Glass and **new** Herringbone.
- Enhance your fire with a **Reflective Glass** rear panel as a complement to the Fluted or Plain Black liner.
- For a fuller effect, add more **Decorative Rock** to Pebble Beach Driftwood.



Made for new construction or major reno. Insert Ok.



HeatShift™ recommended



Outdoor compatible



H6 (1400J) with HeatShift™ Traditional Logs (1400LSK), NEW Herringbone liner (1475HBL) and 1" 4-sided Fixed Frame in Black powder coat finish (1430FFK).

H5 Options

1" x 4-sided



Decorative Glass	1104DGS
Fluted Black liner	1125FBL
Powder Coated Black Fixed Frame	1130FFK

3¼" x 3-sided



Traditional Logs	1150JL
Red Brick liner	1110VRL
3-sided Powder Coated Black surround	1135TSB

4" x 4-sided



Pebble Beach Driftwood	1101DWK
NEW Herringbone liner	1175HBL
4" Powder Coated Black surround	1140FSB2



Traditional Logs	1150JL
Fluted Black liner	1125FBL
4" Powder Coated Nickel surround	1140FSPN2



Murano Glass	1103DGM
Fluted Black liner	1125FBL
4" Plated Brushed Nickel surround	1140FSN2



Traditional Logs	1150JL
Fluted Black liner	1125FBL
4" Bronze Powder Coated surround	1140FSZ2

All Edgemont surrounds are approximately 2¼" in frame width, and include a backing plate.

Edgemont



Pebble Beach Driftwood	1101DWK
Plain Black liner	1160PBL
Plated Brushed Nickel front	1135TSBEN



Pebble Beach Driftwood	1101DWK
Plain Black liner	1160PBL
Bronze front	1135SBEZ

Edgemont Hammered



Pebble Beach Driftwood	1101DWK
Plain Black liner	1160PBL
Hammered Vintage Iron front	1184EHV



Traditional Logs	1150JL
Fluted Black liner	1125FBL
Hammered Copper front	1184EHC



Pebble Beach Driftwood	1101DWK
Plain Black liner	1160PBL
Hammered Oiled Bronze front	1184EHV

Edgemont Double Door



Traditional Logs	1150JL
Red Brick liner	1110VRL
Vintage Iron Doors front	1149EDV



Traditional Logs	1150JL
Ledgestone liner	1115LSL
Bronze Powder Coated Doors front	1149EDZ

H6 options

1" x 4-sided



Traditional Logs 1400LSK
 Herringbone liner **NEW** 1475HBL
 1" 4-sided Fixed Frame in Black powder coat 1430FFK



Decorative Glass 1400DGS
 Reflective Glass liner 1470RGL
 1" 4-sided Fixed Frame in Black powder coat 1430FFK

4" x 4-sided



Pebble Beach Driftwood 1400DWK
 Fluted Black liner 1425FBL
 4" 4-sided surround in Black powder coat 1440FSB

3 1/4" x 3-sided



Traditional Logs 1400LSK
 Red Brick liner 1410VRL
 3 1/4" 3-sided surround in Black powder coat 1435TSB

4" x 4-sided



Traditional Logs 1400LSK
 Ledgestone liner 1415LSL
 4" 4-sided surround in Bronze powder coat 1440FSZ



Murano Glass 1400DGM
 Fluted Black liner 1425FBL
 4" 4-sided surround in Black powder coat 1440FSB



H6 (1400J) with 1" Black Powder Coat Fixed Frame (1430FFK), Fluted Black liner (1425FBL) and Pebble Beach Driftwood (1400DWK)—featuring HeatShift™.

COMPONENTS

H5

H6

DIRECT VENT ENGINE	Natural Gas	1100JN	1400JN
	Propane	1100JP	1400JP
	Natural Gas	1150JLN <i>Traditional</i>	
	Propane	1150JLP <i>Logs only</i>	

FIRE BEDS	Traditional Logs	1150JL burner only	1400LSK
	Pebble Beach Driftwood	1101DWK	1400DWK
	Murano Glass	1103DGM	1400DGM
	Decorative Glass	1104DGS	1400DGS

LINERS	Red Brick	1110VRL	1410VRL
	Ledgestone	1115LSL	1415LSL
	Fluted Black	1125FBL	1425FBL
	Plain Black	1160PBL	1460PBL
	Reflective Glass	1170RGL	1470RGL
	Herringbone NEW	1175HBL	1475HBL

SURROUNDS

1", 4-sided	Black Powder Coat Fixed Frame	1130FFK	1430FFK	H5: 26- ⁵ / ₈ "h x 35- ³ / ₄ "w H6: 31- ¹ / ₂ "h x 41- ³ / ₄ "w
Edgemont 2-¹/₄", 4-sided	Brushed Nickel	1135TSBEN		31- ⁷ / ₈ "h x 41- ⁷ / ₈ "w with Black backing plate
	Bronze	1135TSBEZ		
	Hammered Copper	1184EHC		
	Hammered Oiled Bronze	1184EHOZ		34- ¹ / ₄ "h x 41- ⁷ / ₈ "w with Black backing plate
	Hammered Vintage Iron	1184EHV		
	Doors, Vintage Iron	1149EDV		
	Doors, Bronze	1149EDZ		
3-¹/₄", 3-sided	Black Powder Coat	1135TSB	1435TSB	H5: 30- ³ / ₈ "h x 40- ¹ / ₄ "w H6: 36- ³ / ₄ "h x 46- ¹ / ₄ "w
4", 4-sided	Black Powder Coat	1140FSB2	1440FSB	H5: 32- ¹ / ₂ "h x 41- ¹ / ₂ "w H6: 38- ⁷ / ₈ "h x 47- ⁵ / ₈ "w
	Bronze Powder Coat	1140FSZ2	1440FSZ	
	Brushed Nickel Plate	1140FSN2		32- ¹ / ₂ "h x 41- ¹ / ₂ "w
	Nickel Powder Coat	1140FSPN2		

OPTIONAL	Reflective Glass Rear Panel	1105RGL	1405RGP	for Fluted or Plain Black liner
	Decorative Rock	1506DRK	1506DRK	for Pebble Beach Driftwood
	 Outdoor Conversion Kit NEW	GV60CKO	GV60CKO	Bring H5 and H6 outdoors!

Efficiency Ratings

H6	Model	Fuel	High	Low	EnerGuide Rating*	Max. Output* (w/out fan)
	1400JN	NG	36,000	19,000	71%	22,440
1400JP	LPG	36,000	15,000			
H5	1100JN	NG	28,000	13,000	70%	20,720
	1100JP	LPG				
	1150JLN	NG	30,000	16,000	71%	22,857
	1150JLP	LPG				

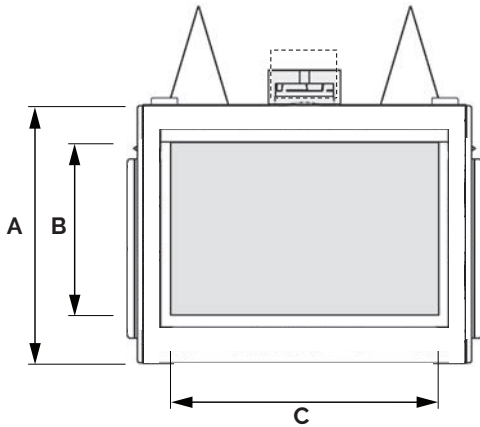
About our efficiency ratings

While the North American fireplace industry is largely self-regulated, at Valor we use recognized Canadian and US government testing methods to determine our energy efficiencies, and ensure our products perform in your home as rated.

Visit valorfireplaces.com/efficiency for more information.

* EnerGuide Ratings and Outputs have been determined without a fan/blower, using the CSA P4.1-15 test method (2017).

DIMENSIONS



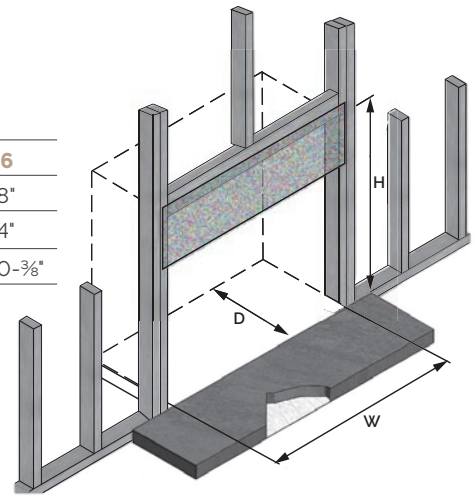
	H5	H6
A	29"	34-1/2"
B	19-1/4"	25-1/2"
C	30"	36-1/8"



Zero Clearance
new construction,
or major reno.
OK as insert.

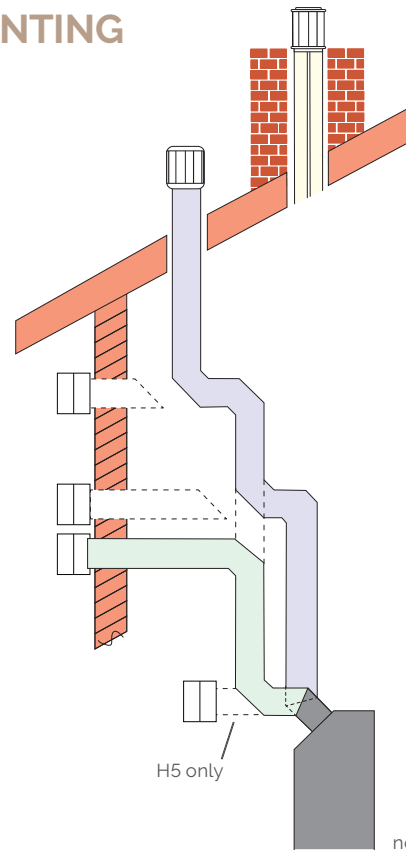
FRAMING

	H5	H6
H	40"	48"
W	38"	44"
D	16-1/2"	20-3/8"



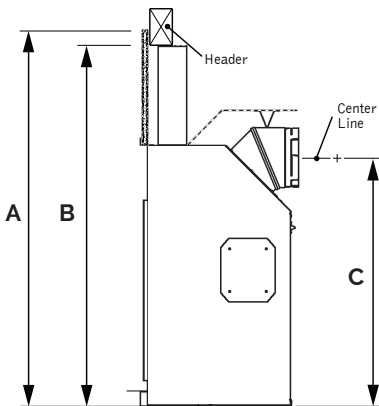
Always refer to the
manual for complete
installation instructions.

VENTING

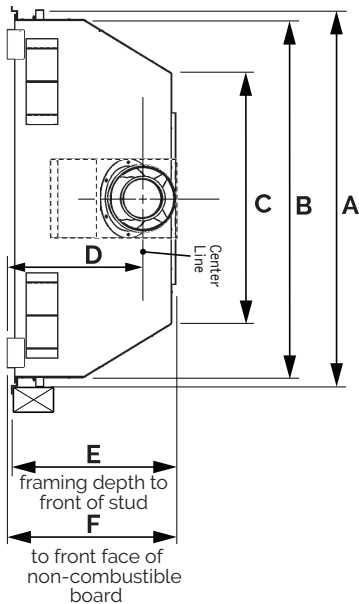


Venting requirements

- Total length of vent pipe can't exceed 40 feet.
- Maximum of 4 x 90 degrees elbows or equivalent (2 x 45 degrees—90 degrees).
- H6 requires minimum 24" vertical rise with horizontal termination.
- H5 allows maximum 12" pipe length with no vertical rise.



	H5	H6
A	41-1/2"	49-1/2" min.
B	40"	48"
C	27-1/2"	32-3/8"



	H5	H6
A	38"	43-7/8"
B	36-1/8"	42-1/4"
C	25-1/4"	27-3/8"
D	13-3/4"	15-5/8"
E	16-1/2"	19-7/8"
F	17"	20-3/8"

HeatShift™

Keeps wall cooler

- Valor's unique **HeatShift™** transfers convective heat upwards through hidden ducts and back into the room—completely bypassing the wall and surface areas above the fireplace—so valued artwork, a TV or construction materials stay cooler.

Improves overall performance

- A raised heat outlet improves convection airflow—reducing wall temperatures and improving overall performance—circulating warm air back into the room at a higher elevation.
- Harnessing convective warmth, up to 60% of fireplace heat rises and flows through **HeatShift™** and back into the room. The remaining radiant heat emanates from the fireplace, warming people and their space.

No electricity or fan required

- **HeatShift™** elevates heat naturally using gravity and Valor product ingenuity—no need for a fan or electricity. No power—no problem.

More options for construction

- Run heat sensitive finishing materials right up to the fireplace surround, including drywall, wood, tile, and stone.
- Install mantels at a one-to-one ratio of depth to height from the fireplace surround when using **HeatShift™**

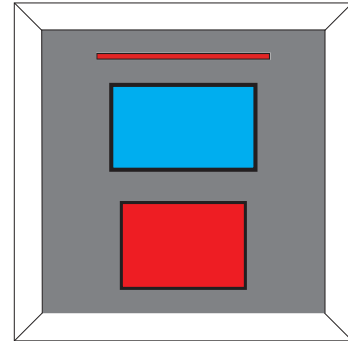
Meets North American Building codes

- Unlike many competitor products in the field, **HeatShift™** utilizes standard construction techniques, meeting code requirements across North America.
- Built and designed in North America for American and Canadian homes.

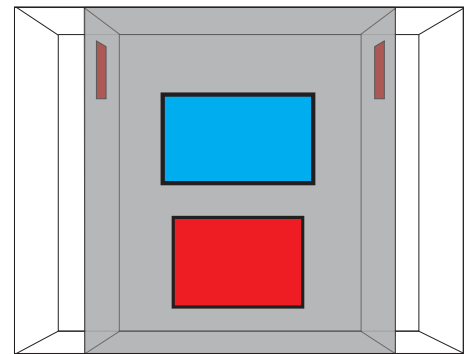
Zone heating

- Looking to heat other areas in your home? **HeatShift's** Remote Blower option helps manage your heat effectively by distributing warmth to other spaces in your home—such as bedrooms, hallways or utility rooms.

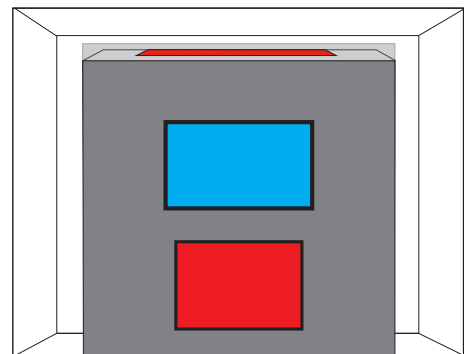
Flexible **HeatShift™** options:



Front wall outlet
LDK1 (48") or LDK4 (38")



Side wall outlets **LDK3**
(see back cover.)



Outlet behind valance
LDK1 (48") or LDK4 (38")

SmartFire by Valor

RADIANT HEAT

Like heat from the sun, Valor fireplaces distribute radiant warmth directly to your living space. Radiant heat satisfies human comfort needs, using up to 25% less energy compared to traditional forced air systems. Valor warmth efficiently replaces the chill from cold windows and doors, providing steady, even heat to people and objects in the room.



PACIFIC NORTHWEST DESIGN, DEVELOPMENT & DISTRIBUTION

Locally owned and operated in the Pacific Northwest, every Valor fireplace is designed, developed and manufactured exclusively for North America. With a proven product family history, Valor continues to introduce unique fireplaces that stand the test of time.

EASY CONTROL

Standard with every fireplace, our ValorStat remote control adjusts the flame up or down to match the heat output of your needs, providing a constant comfort level as the room warms or as the outside temperature falls—a fireplace for all seasons.



THE COMFORT ZONE

Reduce your furnace's output of hot air into empty rooms and unused spaces.

Zone heating requires no ducting or forced air, delivering radiant and convective warmth to the spaces you frequent the most. Where you want it—when you want it.



BURN CLEAN, ENGINEERED GREEN

Natural gas is the cleanest fireplace fuel you can burn, with the lowest particulate levels and lowest levels of greenhouse gases.

Valor specializes in the design of clean heat solutions for your home.



PRODUCT VERSATILITY

Known for our versatility in the field, Valor products are extremely diverse in their application and design. New construction or home renovation—gas inserts, zero clearance and freestanding fireplaces provide a wide range when selecting the ideal fireplace to suit your personal heating needs.



SAVINGS

Your pilot flame will automatically turn off if your fireplace is inactive for over five days, saving energy and lowering overall home heating costs.

Keep forgetting to turn down your fireplace? Set the ValorStat to automatically turn down after six hours.



NO POWER, NO PROBLEM.™

If the power fails in the winter your home can get cold fast. Valor fireplaces are fully functional heaters that don't need electricity. Our fireplaces provide the perfect mixture of radiant and convective heat, eliminating the need for a fan.

No power, no problem.



NO FAN NECESSARY

We firmly believe that you shouldn't put up with the constant buzz of a fan to be warm. That's why we designed glowing fires to radiate heat and secondary heat exchangers to naturally circulate warm air by convection throughout the room. While a fan is an option, you'll likely find it unnecessary.



RELIABILITY

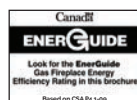
With over 100 years in the heating industry, we take pride in providing high-quality, safe products. Engineered to provide peace of mind, every Valor product undergoes extensive safety testing before it reaches our customer. That's why many customers own more than one Valor fireplace in their lifetime.



FIREPLACE SAFETY — USE RADIANT HEAT SAFELY

Fireplace surfaces, in particular the glass viewing window, are extremely hot during operation and will remain hot for a period of time after the fireplace is turned off. Contact with the hot glass can cause severe burns. Close adult supervision is required if there are young children, or at-risk individuals in the house. Included with your purchase, a Valor barrier screen is recommended at all times. Install an approved aftermarket safety gate to keep toddlers, young children and at-risk individuals a safe distance from the fireplace.

For more information please visit valorfireplaces.com/safety.



Proudly made in North America



Copyright Miles Industries Ltd. 2017
Designed and manufactured by:



H5 with Pebble Beach Driftwood (1101DWK), Fluted Black liner (1125FBL) and 1" Black Fixed Frame (1130FFK)—featuring HeatShift™ side outlets (LDK3).

Your Authorized Valor Dealer

valor
THE ORIGINAL
RADIANT GAS FIREPLACE™
valorfireplaces.com