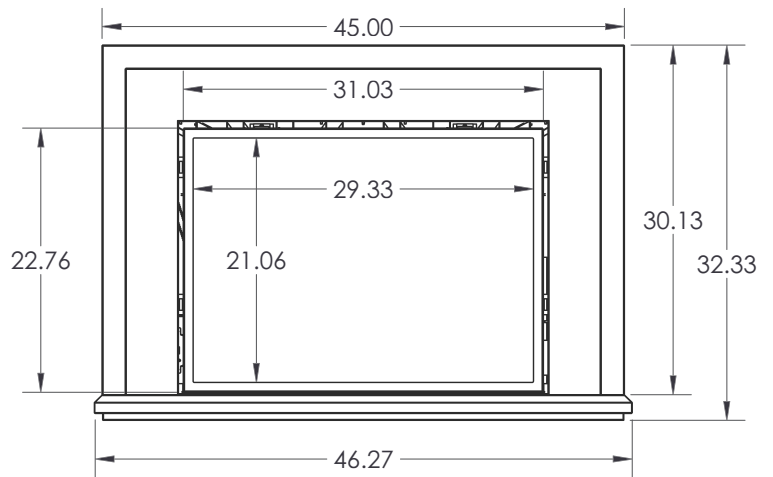
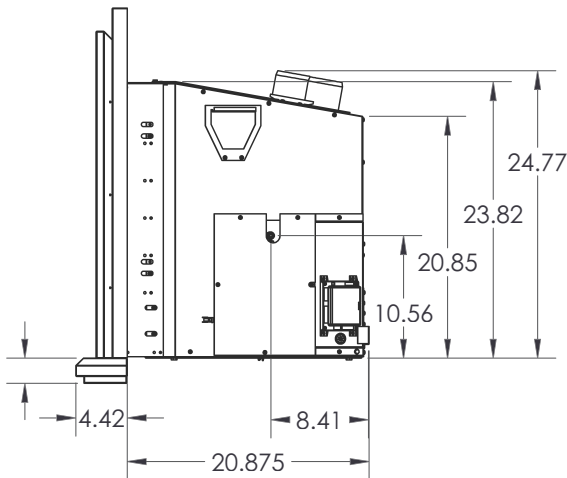
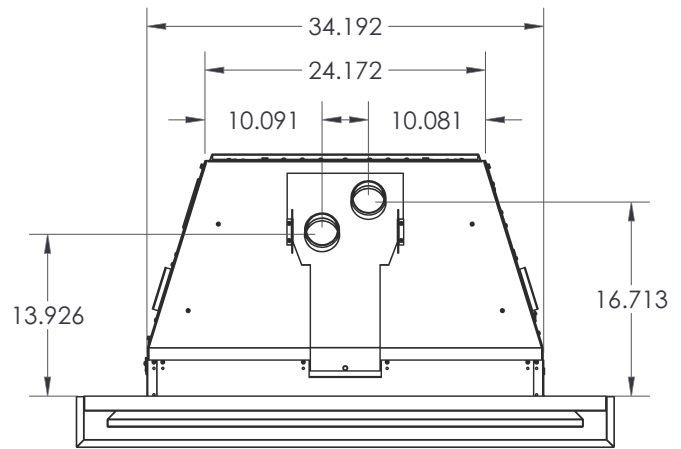


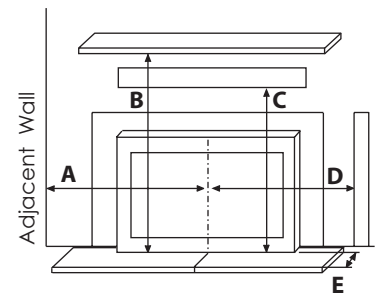
E44 Dimensions

Shown with Contemporary surround panel & Base Shelf



Clearance to Combustibles

	Q1	E20	E30	E33	E44
A - center of unit to side wall	16½"	19½"	21"	24"	23½"
B - bottom of unit to bottom of 12" mantle	41"	39¾"	36"	36"	40"
C - unit bottom to max. ¾" combustible facing	35¼"	37½"	30"	30"	40"
D - center of unit to side facing	10"	16½"	22"	23"	23"
E - front of door to edge of floor protection	12"	13"	16"	16"	16"



*Based on a minimum ½" raised hearth (18" flush).

Measurements are approximate please consult owners manual for details.